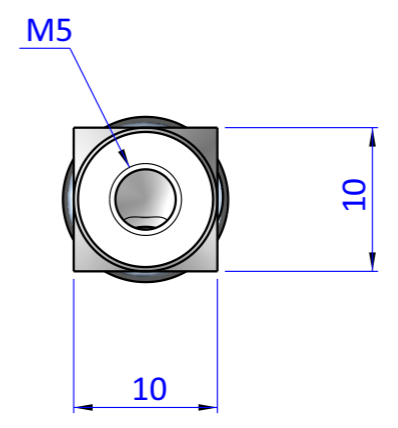
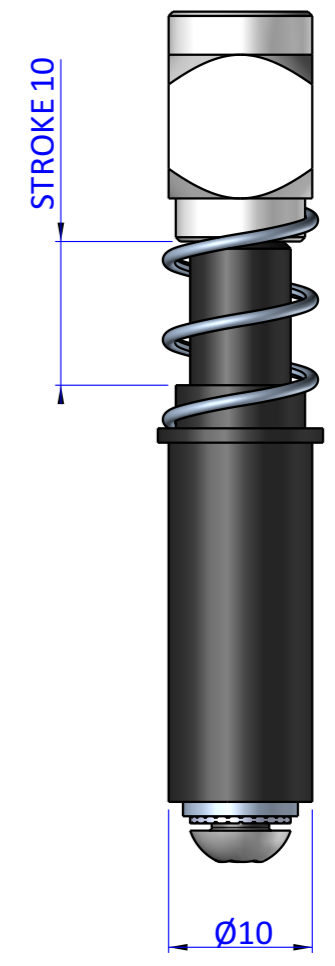
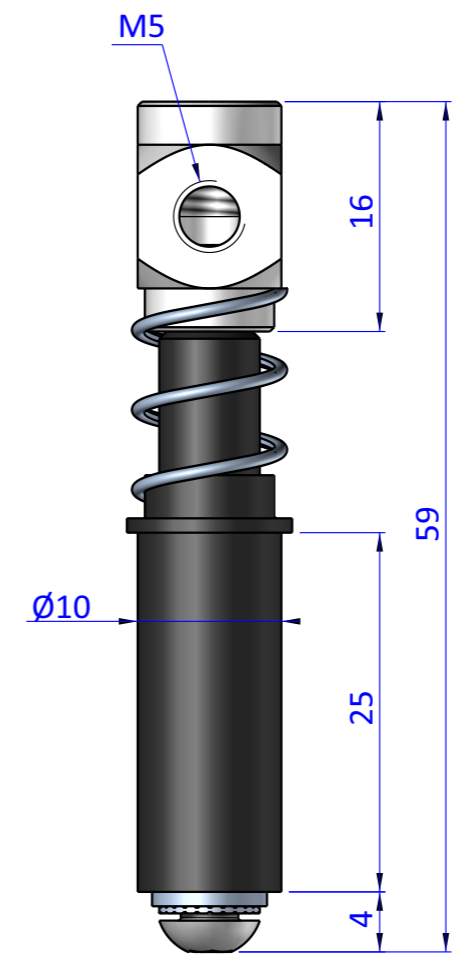
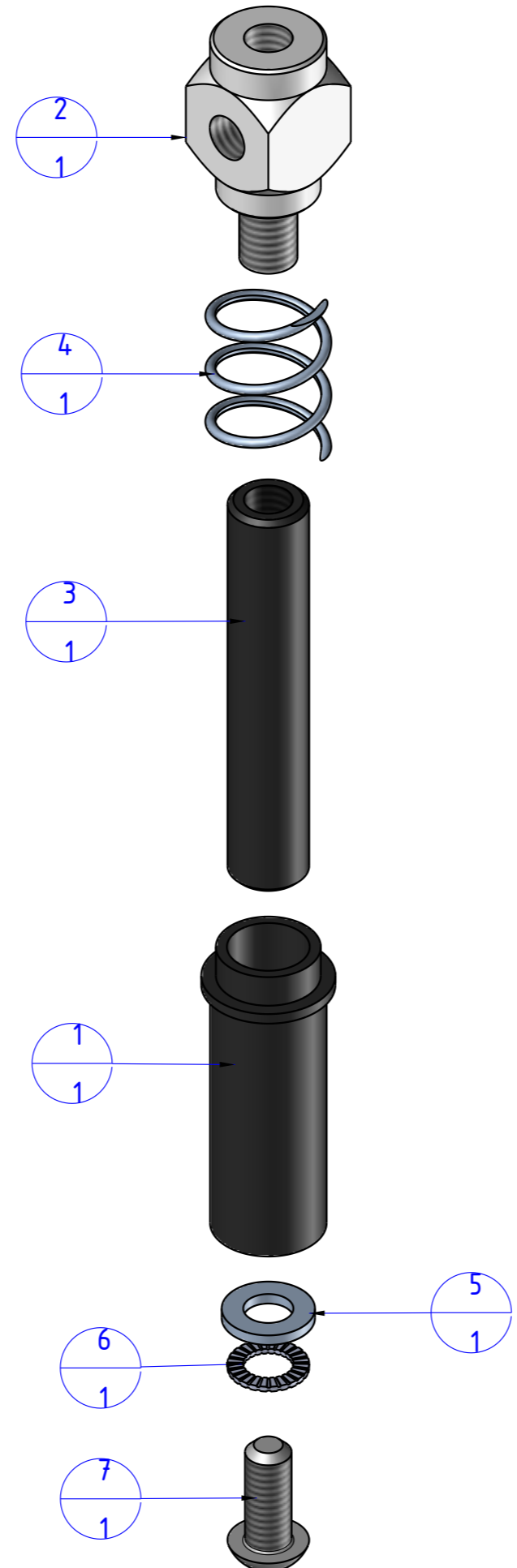



THE PROPERTY OF THE DRAWING IS ESTABLISHED BY LAW. IT IS FORBIDDEN TO PRODUCE OR SHOW IT TO THIRD PART. WITHOUT A WRITTEN AGREEMENT.

Item	Name	Q.ty
1	GGD.10.2	1
2	GGD.10.05.05	1
3	GGD.10.10	1
4	M.10X25	1
5	R.4	1
6	R.4.SCH	1
7	V.TBCE4X10.BUTT	1



Format A3  
UNI 936-76

 <b>FPS</b> FPSERVICES AUTOMATION		DESIGNED FROM		REVIEW
		FPS Automation		A
GENERAL TOLERANCE		DATE	WEIGHT	
UNI - ISO 2768		09/09/2020	0,011kg	
CLASSE f		DESCRIPTION	CODE	
		CA.GGD.10050510	CA.GGD.10050510	